

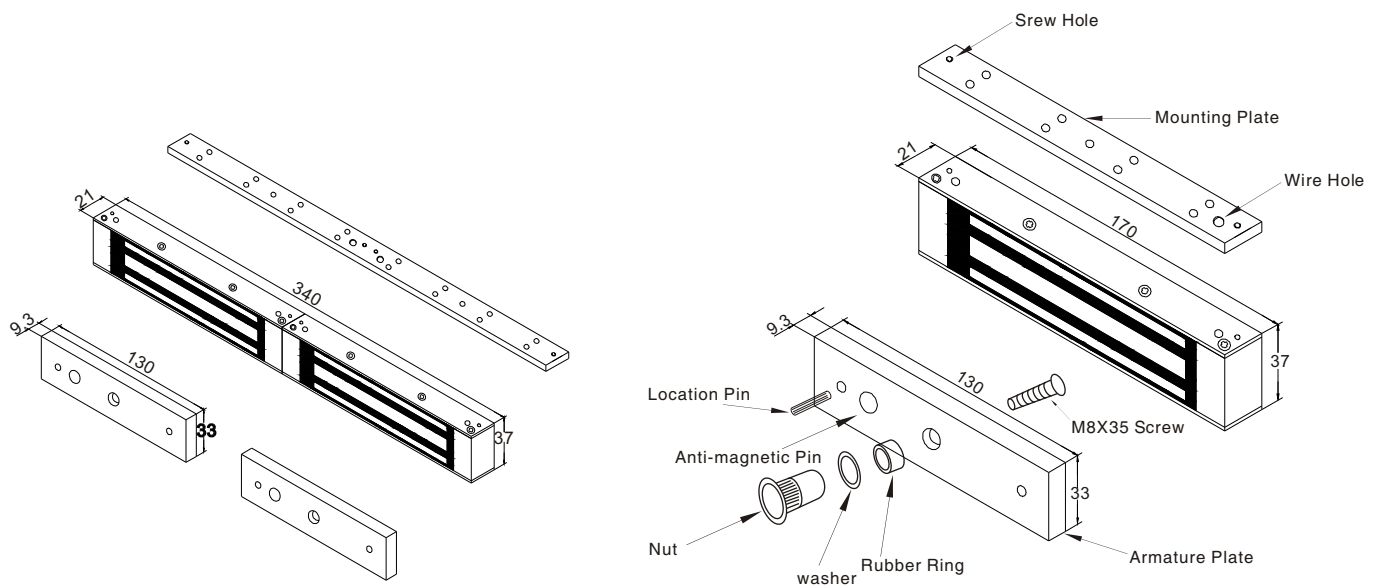


180kg Magnetic Lock Manual

Specification

Model	Size(unit:mm)	Voltage	Current	Holding Force	Signal Output	Door
YM-180	170Lx41.4Wx20.5H	12/24VDC	12V/300mA 24V/150mA	180kg(350Lbs)	No	Single Door
YM-180D	340Lx41.4Wx20.5H	12/24VDC	12V/300mA 24V/150mA	180kgx2(350Lbsx2)	No	Double Door
YM-180-S	183Lx41.4Wx20.5H	12/24VDC	12V/300mA 24V/150mA	180kg(350Lbs)	Yes	Single Door
YM-180D-S	366Lx41.4Wx20.5H	12/24VDC	12V/300mA 24V/150mA	180kgx2(350Lbsx2)	Yes	Double Door

Diagram (unit:mm)



⚠ Remark:

A: Please don't fix the screw(screw of armature plate) tightly, let the rubber ring maintain proper elasticity.

B: Please check the jumper position, to know voltage is 12VDC or 24VDC.

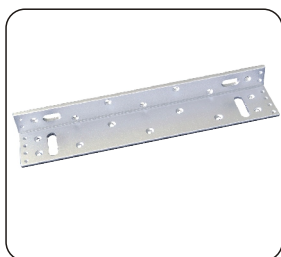
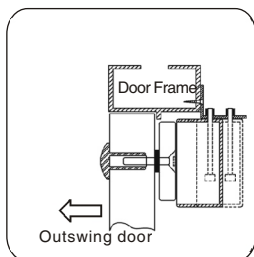


Bracket Installation

Different brackets are available according to different types of doors. For example, narrow door frame door, frameless glass door and inward opening door.

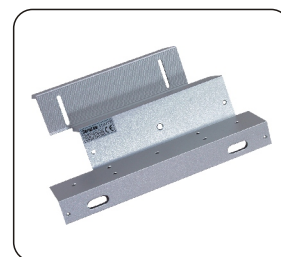
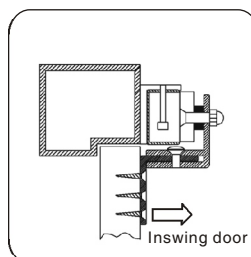
L Bracket

When the door frame thickness is less than 42mm, need to install the L bracket.



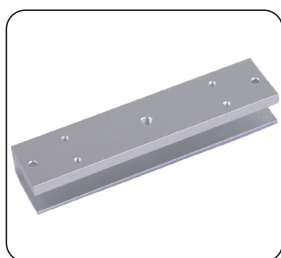
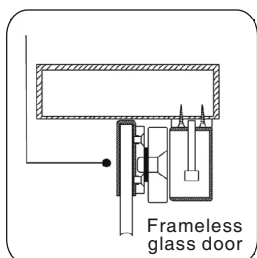
ZL Bracket

For inward opening door, need to install the ZL bracket.



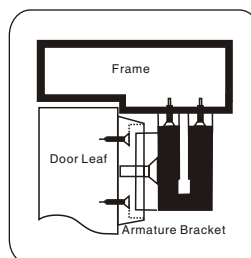
U Bracket

For the frameless glass door, need to install the UL bracket. (suitable for 10-15mm glassdoor).

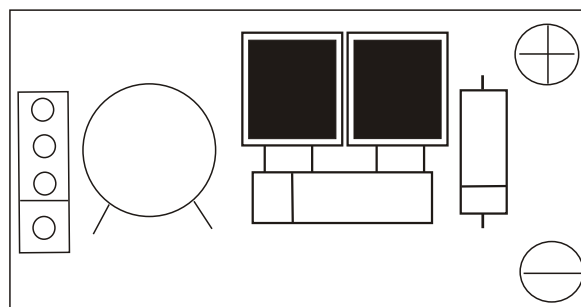
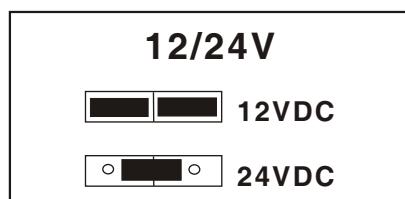


Bracket for Amature Plate

When the door frame is too thick, need to install the I bracket.



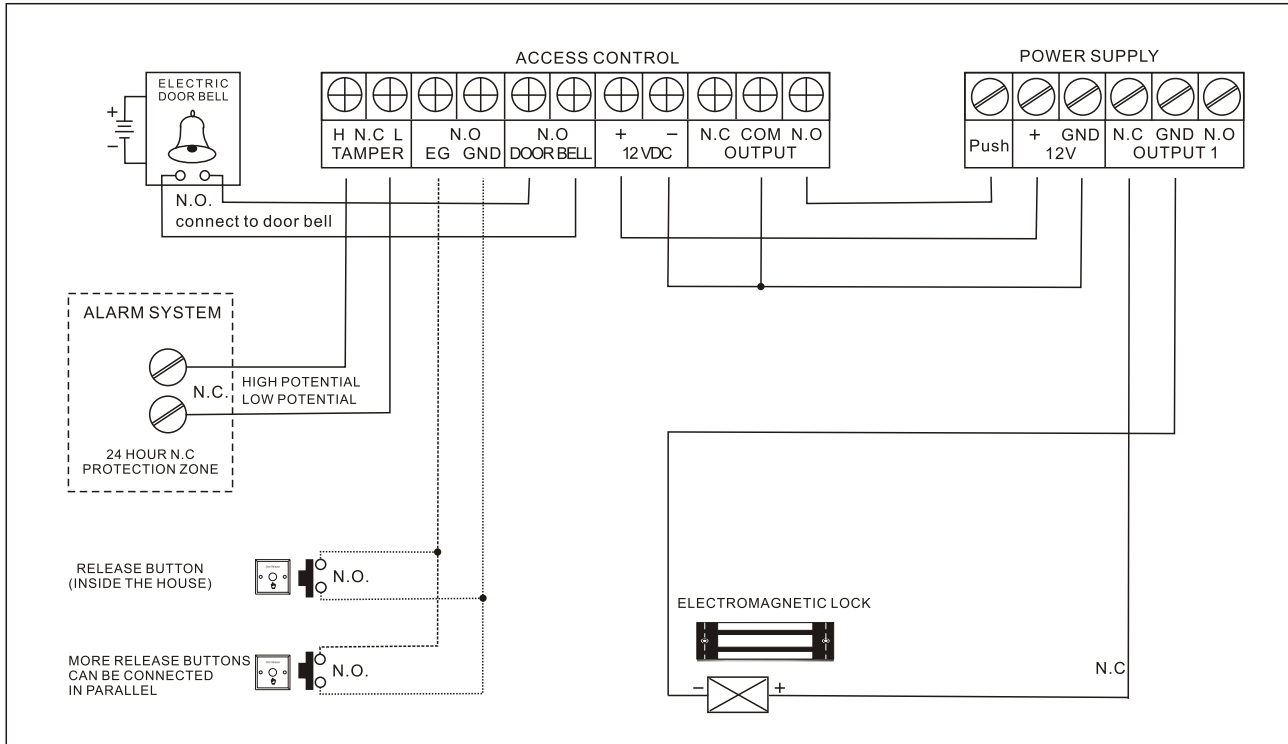
Circuit Board Diagram





180kg Magnetic Lock

Wire Connection



⚠ NOTE:

Please Read Specification Before Attempting To Install Magnetic Lock

- Handle the equipment with care, damaging the mating surfaces of the magnet or armature plate may reduce locking efficiency.
- The magnet mounts rigidly to the door frame. The armature plate mounts to the door with hardware. Kit provided that allows it to pivot about its center to compensate for door wear and misalignment.
- Template must take place with the door in its normally closed position.
- Please tuist screws of magnetic lock firmly
- Detect signal of Door stute: The Limit of Dry reed and Dry contact is 0.5A/30VDC, Don,t overload.